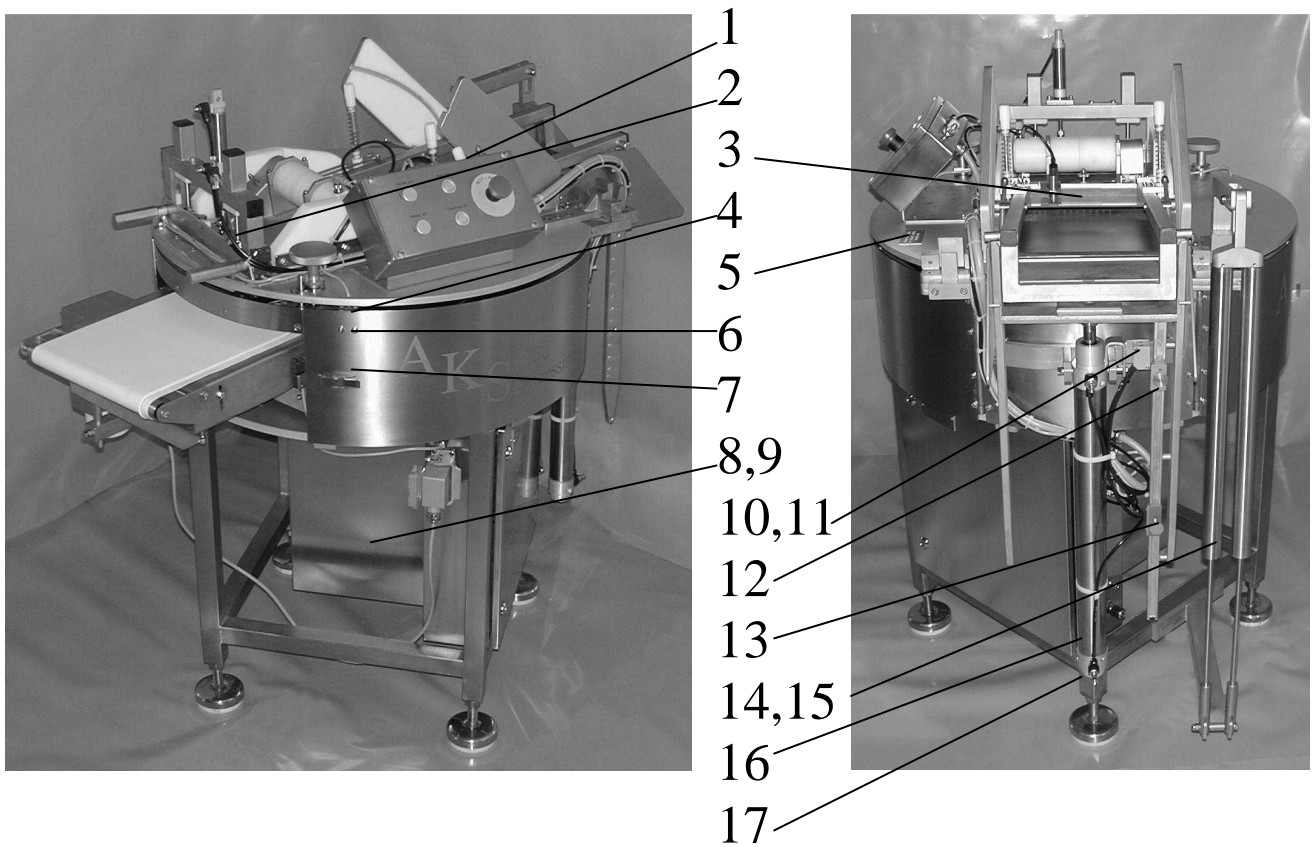


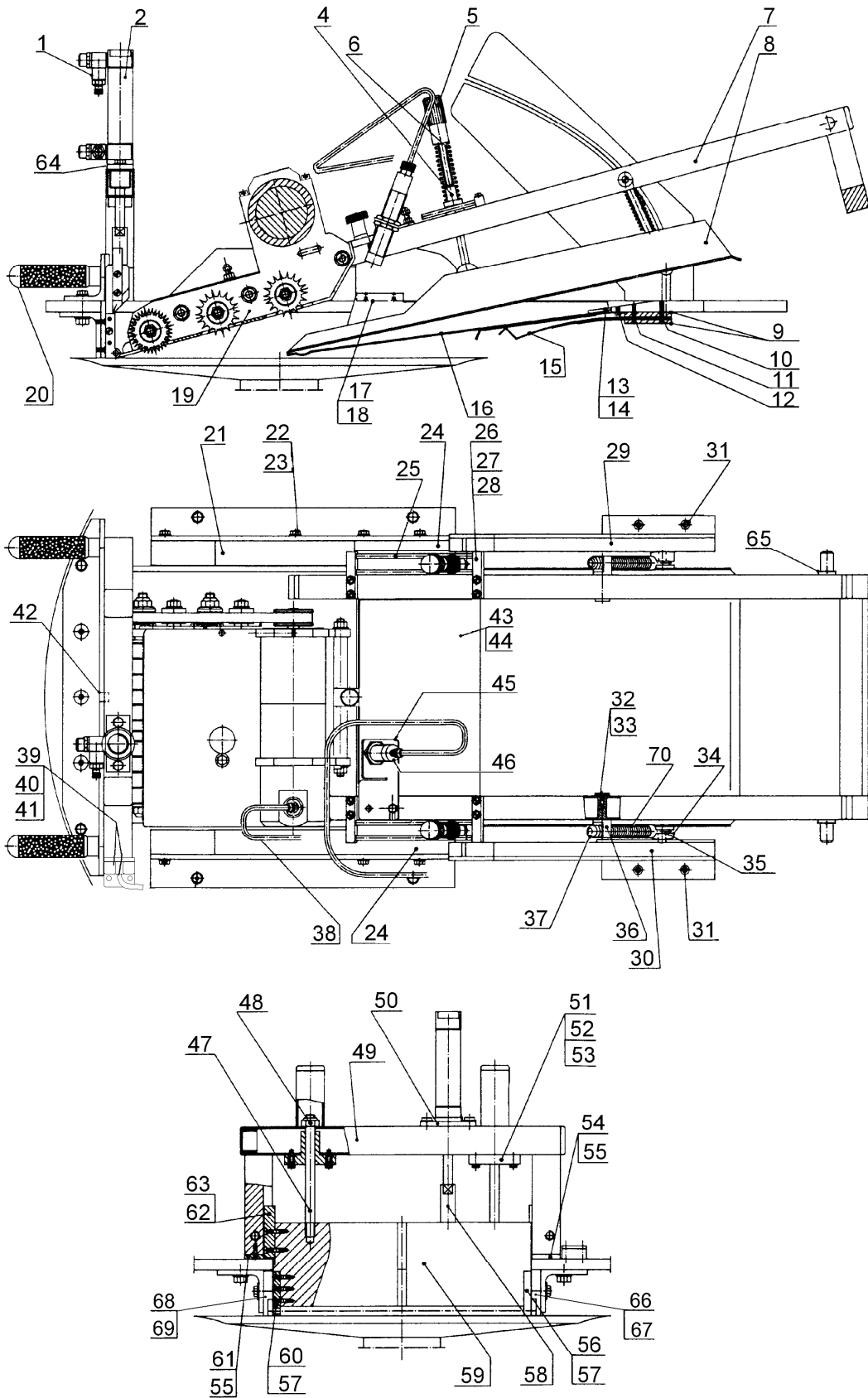
Slicer 0200
Spare parts list

Item	Quantity	Denomination	Article No.
1	2	Cover	01-01-037-01
2	2	Clutch	2782000081
3	1	plate "Do not reach into..."	4940000101
4	2	Contact	2221000086
5	1	plate "For grinding..."	4940000102
6	2	Contactmagnet	2221000087
7	2	Closing handle	2591000061
8	1	Motor cover	01-01-041-01
9	1	Motor	2212000085
10	1	approach switch (short sliding block)	2221000043
11	1	approach switch (long sliding block)	2221000044
12	1	sliding block (short)	01-06-006-02
13	1	sliding block (long)	01-06-006-01
14	2	Pneumatic spring	2583000060
15	2	gas damper pipe	01-05-003-01
16	1	Pneumatic cylinder	2722000075
17	2	Throttle valve	2711000069



Slicer 0200

Spare parts list – Salmon feed



View from in front, right hand side versi.

AKS Sondermaschinenbau GmbH

Slicer 0200

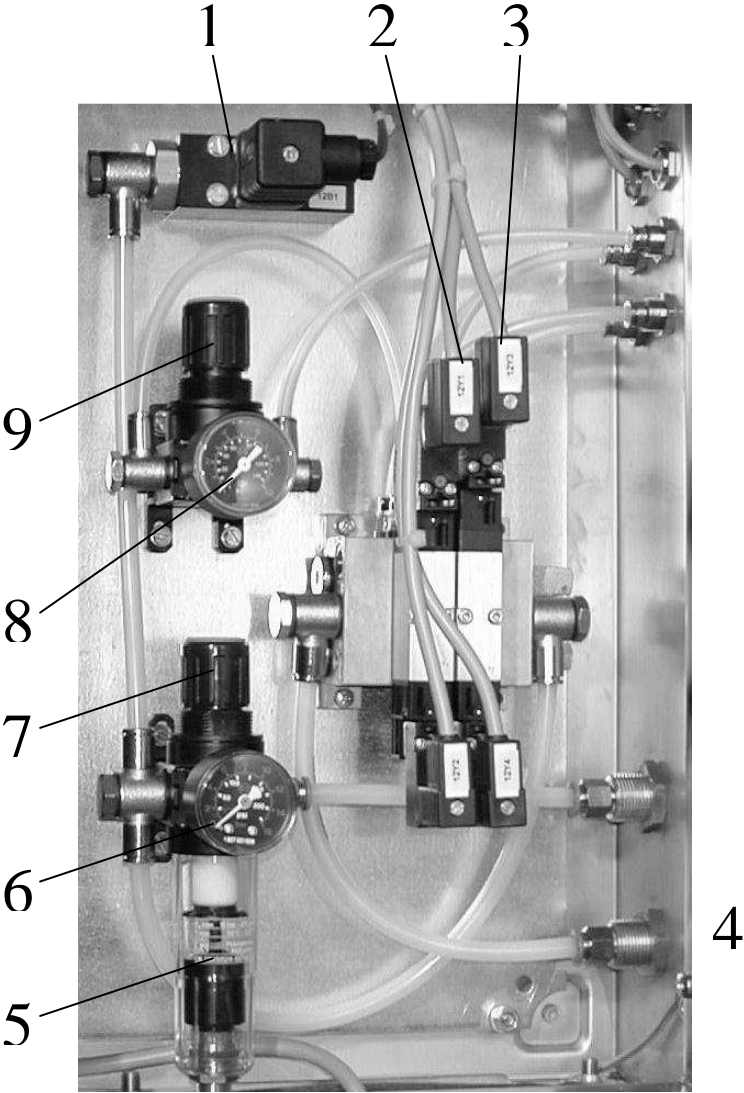
Spare parts list – Salmon feed

Item	Quantity	Denomination	Article No.
2	1	Throttle valve	2711000070
3	2	Air ram	2722000074
4	4	Slide bracket	01-07-018-06
5	5	Screw, adjusting	01-07-018-05
6	6	Spring	2581000058
7	7	Frame, salmon slide	01-07-012-01
8	8	Salmon slide	01-07-021-01
9	9	Spring steel bracket	01-07-004-01/02
10	10	Screw	1514000021
11	11	Screw	1514000020
12	12	Screw	1511000002
13	13	Screw	1514000018
14	14	Cover bracket, salmon slide	01-07-001-02
15	15	Spring steel	01-07-003-01/03
16	16	Cover, salmon slide	01-07-001-01
17	17	Slide bracket	01-07-002-01
18	18	Screw	1514000016
19	19	Feed mechanism	see Tristar Drive
20	20	Handles	01-07-007-01
21	21	Bracket, adjusting (l.h. side)	01-01-030-05
22	21	Bracket, adjusting (r.h. side)	01-01-030-04
23	22	Screw	1512000012
24	23	Flat washer	1531000029
25	24	Bracket, slide	01-01-030-06
26	25	Guide rod	01-07-017-01
27	26	Guide bracket	01-07-016-01
28	27	Screw	1511000003
29	28	Flat washer	1531000028
30	29	Guide, salmon slide (l.h. side)	01-01-045-01 for sticking
31	30	Guide salmon slide (r.h. side)	01-01-045-01 for sticking
32	31	Screw	1511000007
33	32	Screw	1514000017
34	33	Screw, spring rod	01-07-014-01
35	34	Spacer	01-07-018-07
36	35	Spring rod	01-07-015-01
37	36	Guide, spring rod	01-07-013-01
38	37	Nut	1523000026
39	38	Cable w/ plug	2282000047
40	39	Switch	2221000086
41	40	Switschmagnet	2221000087
42	41	Screw	1511000088
43	42	Flange	01-01-030-07
44	43	Cover	01-07-019-01
45	44	Screw	1514000017
46	45	Bracket, sensor (l.h. side)	01-07-020-01
47	45	Bracket, sensor (r.h. side)	01-07-020-02
48	46	Sensor	2221000095
49	47	Bolt	01-07-010-01
50	48	Nut	1522000023
51	49	Flange, centering	01-07-005-01
52	50	Mount, ram	01-07-006-01
53	51	Flange	01-07-018-01
54	52	Screw	1512000011
55	53	Flat washer	1531000028
56	54	Flange (r.h. side)	01-07-018-03
57	55	Screw	1514000017
58	56	Hinge (r.h. side)	16 01-07-009-01a
59	57	screw and	1514000018
60	57	pin from	1551000035
61	58	Ram rod	01-07-011-01
62	59	bracket, adjusting	01-07-008-01a
63	60	Hinge (l.h. side)	01-07-009-02a
64	61	Slider (l.h. side)	01-07-018-04
65	62	Slider	01-07-018-02
66	63	Screw	1511000003
67	64	nut	01-07-023-01
68	65	washer	01-07-018-08
69	66	lateral cutting edge, on the right	01-01-029-01
70	67	plastic for lateral cutting edge, on the right	01-01-030-03
71	68	lateral cutting edge, on the left	01-01-029-02
72	69	plastic for lateral cutting edge, on the left	01-01-030-02
73	70	spring	2581000106

Slicer 0200

1 Spare parts list - Pneumatic cabinet

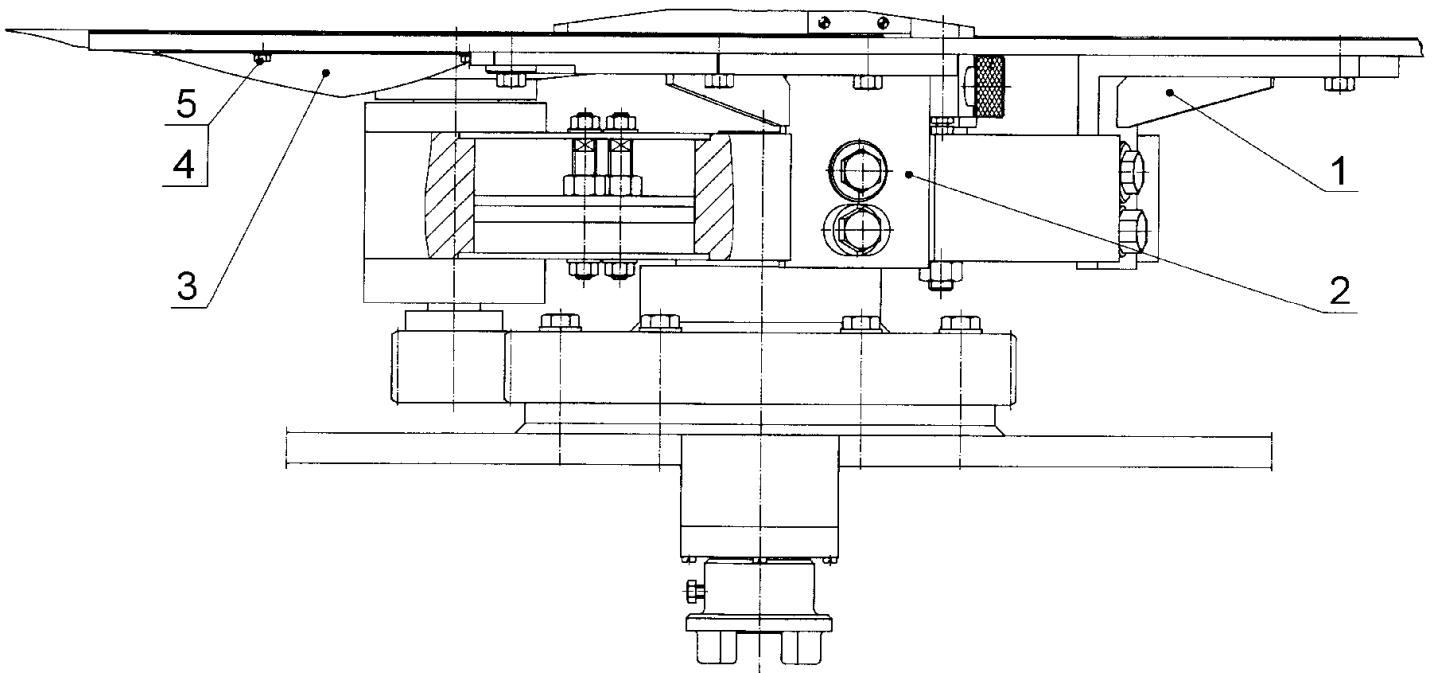
<u>Item</u>	<u>Quantity</u>	<u>Denomination</u>	<u>Article No.</u>
1	1	Solenoid valve	2711000071
2	1	Solenoid valve 5/2	2712000072
3	1	Solenoid valve 5/3	2712000073
4	1	Air coupling	2782000080
5	1	pressure control valve	2754000099
6	1	Air gauge 16 bar	2741000077
7	1	Flow valve	2750000078
8	1	Air gauge 10 bar	2741000076
9	1	Throttle valve	2754000079



Slicer 0200

Spare parts list - operation

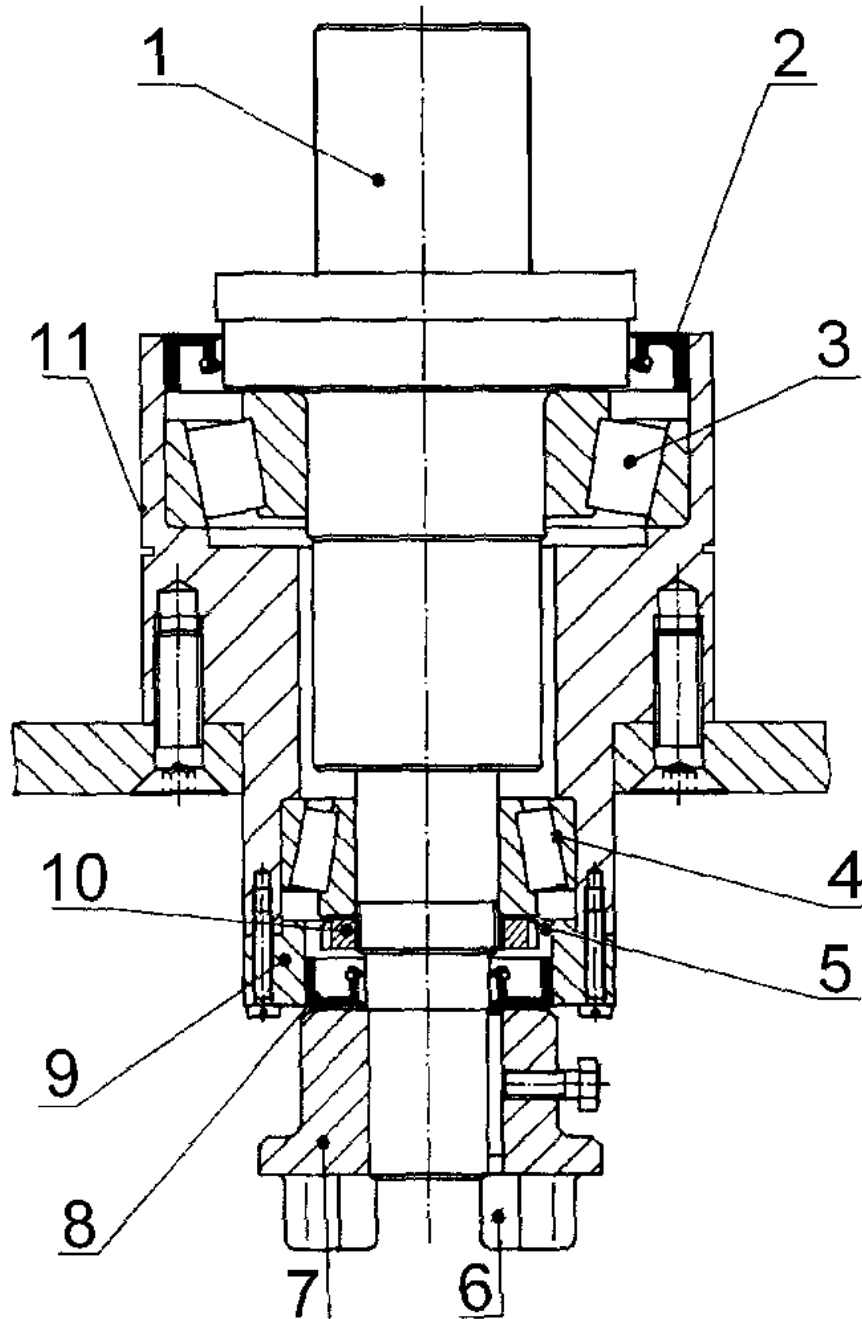
Item	Quantity	Denomination	Article No.
1	2	Angle bracket small	01-03-007-01
2	1	Angle bracket (r.h. side)	01-03-006-01
	1	Angle bracket (l.h. side)	01-03-006-02
3	1	Collection plate (l.h. side)	01-03-011-01
	1	Collection plate (r.h. side)	01-03-012-01
4	2	Bolt	1512000010
5	2	Flat washer	1531000028



Slicer 0200

Spare parts list – Main bearing

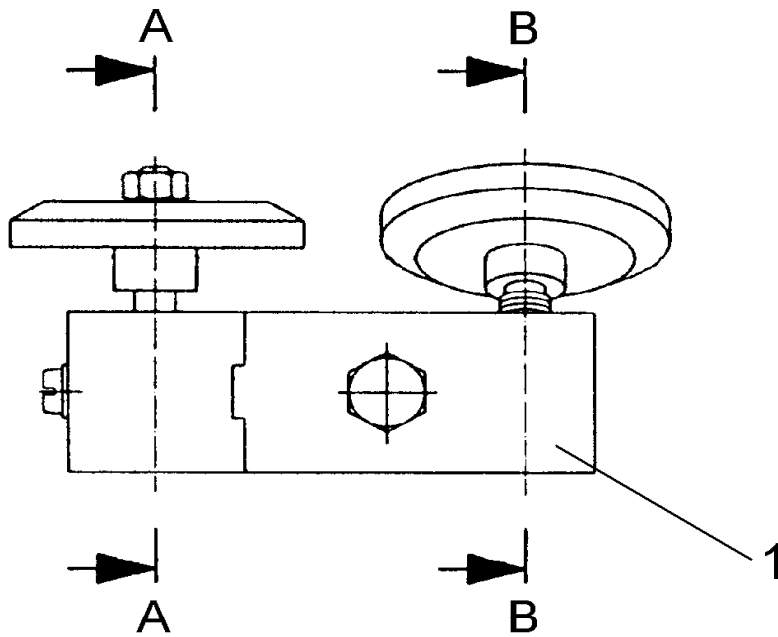
Item	Quantity	Denomination	Article No.
1	1	Main shaft	01-02-002-01
2	1	Gasket	2822000084
3	1	Roller bearing	2621000068
4	1	Roller bearing	2621000067
5	1	safety plate	5542000097
6	1	coupling damper	3441000098
7	1	Clutch	01-02-0606-01
8	1	Oil seal	2821000082
9	1	Cover	01-02-003-01
10	1	Snap ring	01-04-006-01a
11	1	Main shaft housing	01-02-001-01



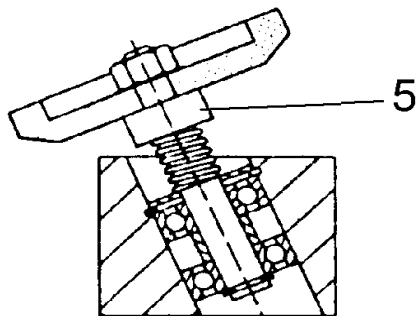
Slicer 0200

Spare parts list – Knife sharpener

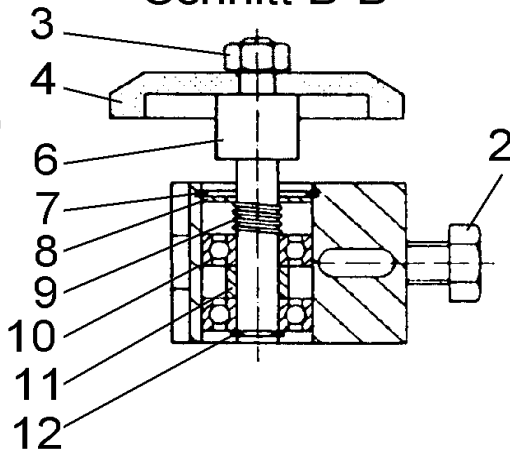
Item	Quantity	Denomination	Article No.
1	1	Knife sharpener, complete (l.h. side)	2381000052
1	1	Knife sharpener, complete (r.h. side)	2381000053
2	1	Bolt	01-11-001-08
3	2	Nut	1522000025
4	2	Grind stone	01-11-004-01
5	1	Shaft	01-11-001-03
6	1	Shaft	01-11-001-04
7	2	Snap ring	1541000034
8	2	Flat washer	01-11-001-06
9	2	Spring	2581000057
10	4	Ball bearing	2611000064
11	2	Space tube	01-11-001-05
12	2	Snap ring	1541000032



Schnitt A-A



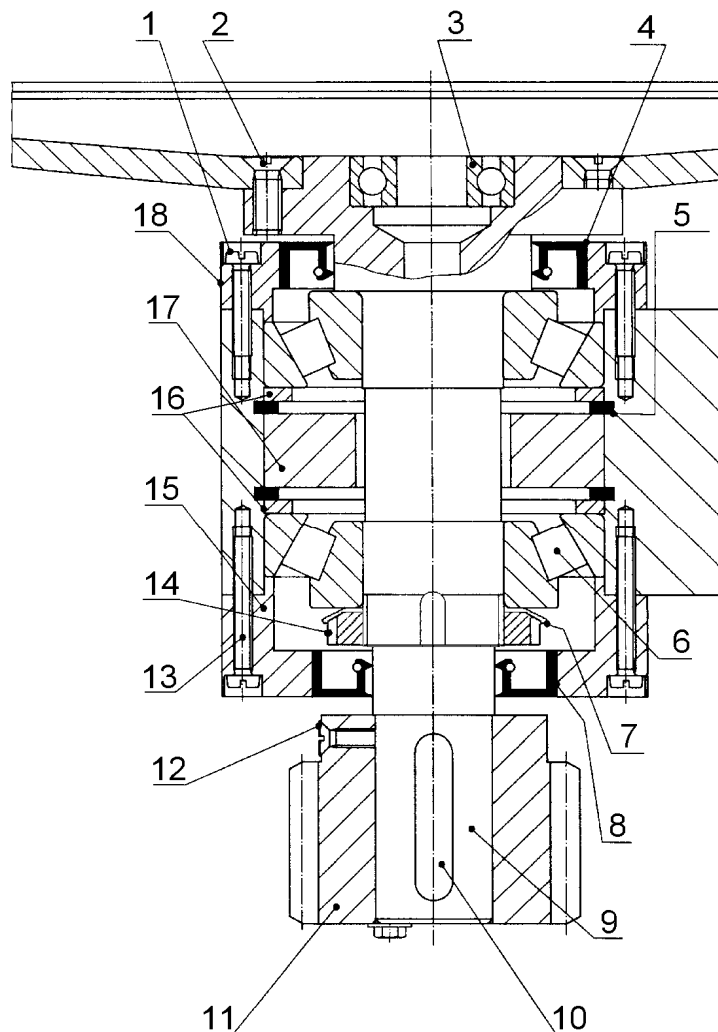
Schnitt B-B



Slicer 0200

Spare parts list – Knife bearing

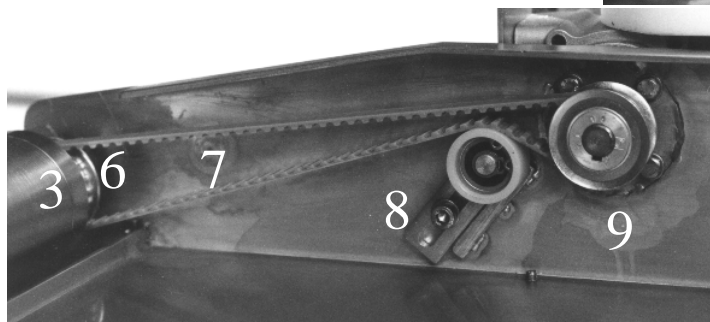
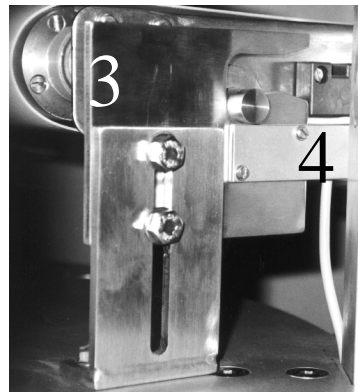
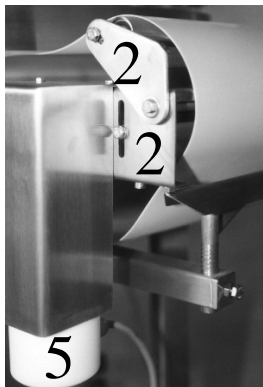
Item	Quantity	Denomination	Article No.
1	4	Screw	1511000005
2	4	Screw	1514000019
3	1	Ball bearing	2611000065
4	1	Oil seal	2822000083
5	2	Snap ring	1541000033
6	2	Roller bearing	2621000066
7	1	Safety plate	5542000097
8	1	Oil seal	2821000082
9	1	Knife shaft	01-04-005-01a
10	1	Key	1561000038
11	1	Sprocket	01-04-007-01
12	1	Screw	1514000018
13	4	Screw	1511000004
14	1	Snap ring	01-04-006-01a
15	1	Cover	01-04-003-01
16	2	Spacer	01-04-001-01
17	1	Spacer	01-04-002-01
18	1	Cover	01-04-004-01



Slicer 0198

2 Spare parts list – Infeed belt for slices

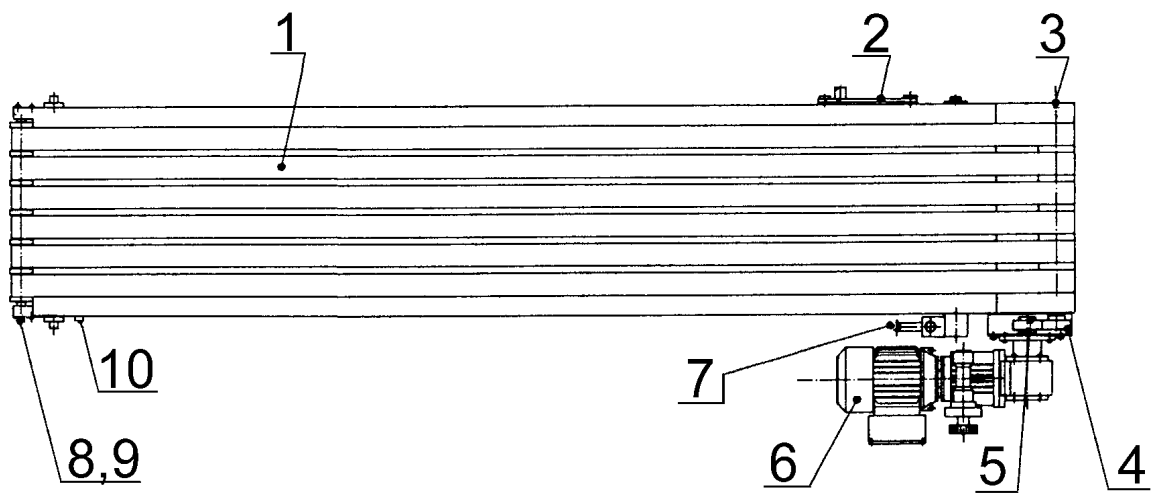
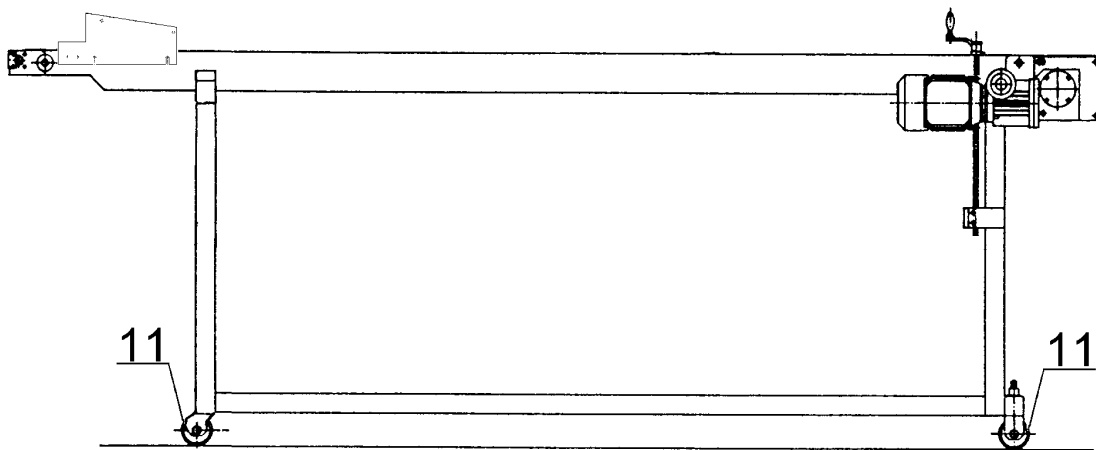
Item	Quantity	Denomination	Article No.
1	1	Belt	2462000056
2	4	Ball bearing	2611000063
3	2	Ball bearing	2611000065
4	1	Switch	2221000086
	1	Switschmagnet	2221000087
5	1	Motor, electric	2211000040
6	1	Timing belt pulley	01-09-007-01
7	1	Timing belt	2451000054
8	1	Timing belt tension	see Timing belt tension
9	1	Timing belt pulley,drive	01-09-006-01
10	1	end shield with carbon brushes	2213000094



Slicer 0200

3 Spare parts list - Conveying belt for whole sides

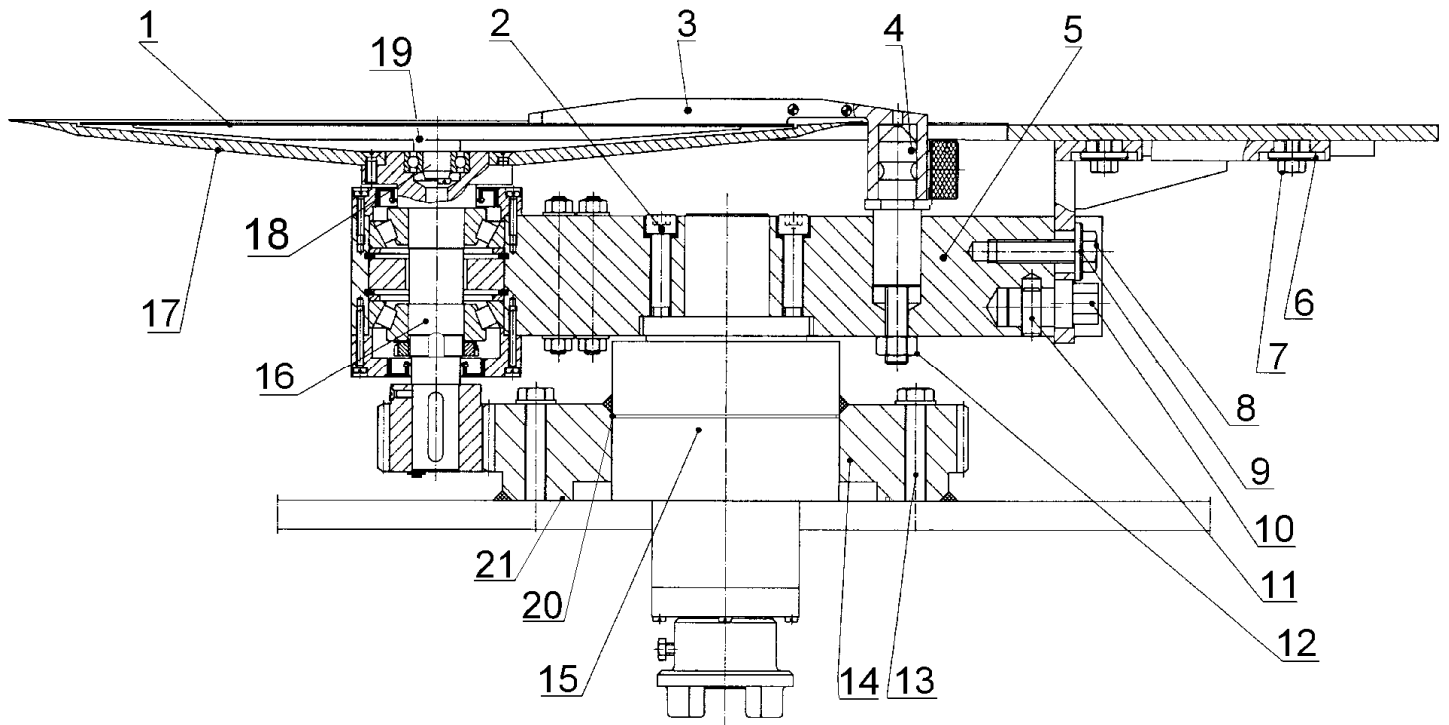
Item	Quantity	Denomination	Article No.
1	6	transport belt	2462000089
2	1	locking bar	01-10-026-01
3	2	deep-groove ball bearing	2611000065
4	1	pinion	01-10-014-01
5	1	toothed gear	01-10-013-01
6	1	regulating motor	2212000090
7	1	crank handle	2592000091
8	2	deep-groove ball bearing	2611000092
9	2	axle bearing (plastic)	01-10-024-01
10	1	approach switch magnet	2221000087
11	3	wheel	2481000093



Slicer 0200

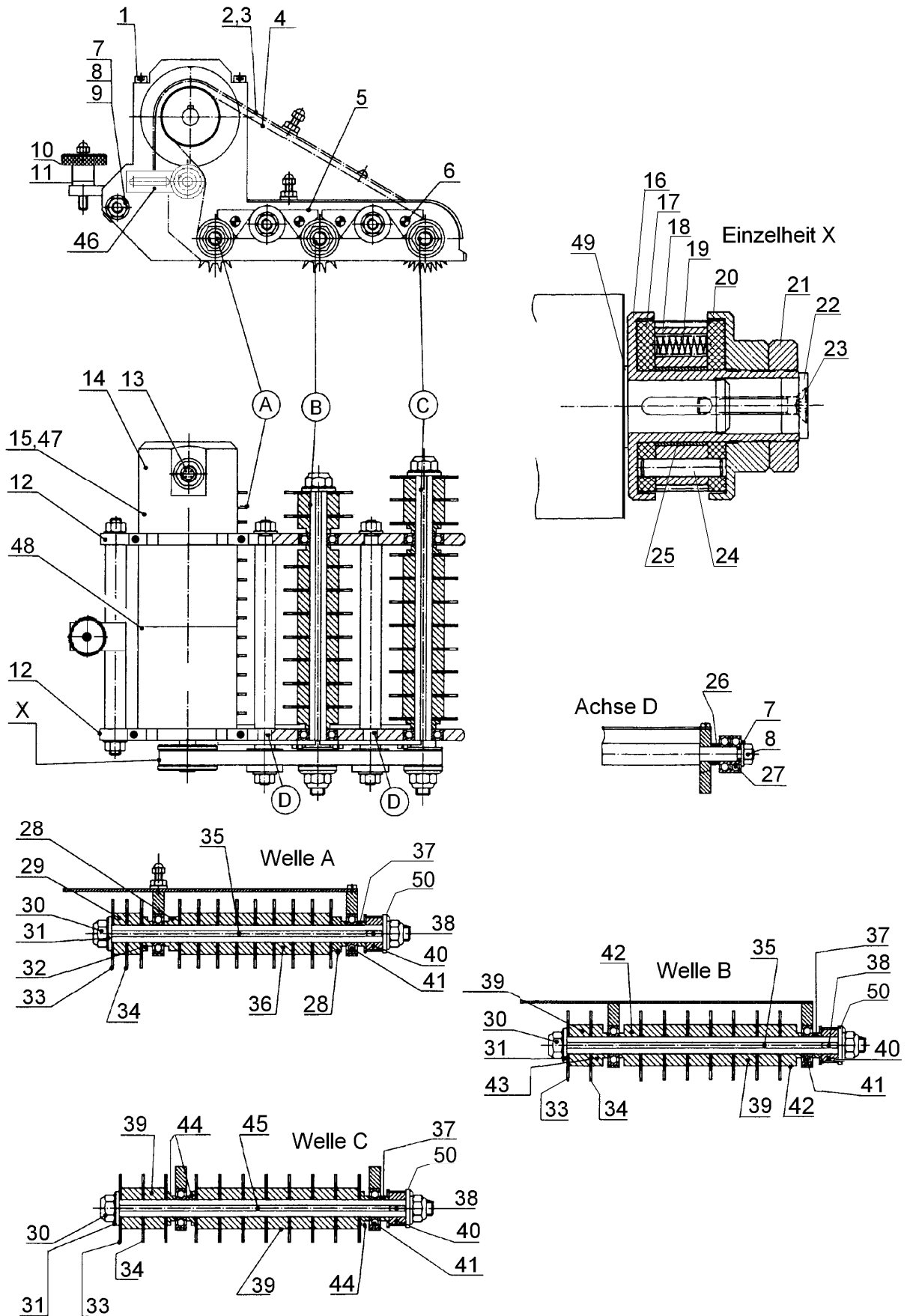
Spare parts list – Driving devices

Item	Quantity	Denomination	Article No.
1	1	Knife cover (only) with bracket (included)	01-04-011-01 01-03-010-01
2	4	Soc. H. bolt	1511000008
3	1	Cover, complete	01-04-008-01/02 with 01-04-009-01
4	1	Bolt, mounting	01-03-005-01
5	1	Flywheel	01-03-001-01
6	12	Flat washer	01-03-009-01
7	12	Bolt	1512000013
8	4	Bolt	1512000014
9	4	Flat washer	01-03-008-01
10	2	Centre bolt	01-03-002-01
11	2	Safety bolt	01-03-003-01
12	1	Nut	1522000024
13	6	Bolt	1512000009
14	1	Sprocket	01-02-005-01
15	1	Main bearing, complete	see Main bearing
16	1	Bearing, knife shaft	see Knife bearing
17	1	Knife	01-04-010-01a
18	1	Knife plate, centre	01-04-012-01
19	1	spacer plate 0,1mm	01-04-014-01
20	1	O-ring	2811000103
21	1	O-ring	2811000104



Slicer 0200

Spare parts list – Tristar Drive



AKS Sondermaschinenbau GmbH

Slicer 0200

Spare parts list - Tristar Drive

<u>Item</u>	<u>Quantity</u>	<u>Denomination</u>	<u>Article No.</u>
75	1	4 Screw	151100006
76	2	1 Guard, large (l.h. side)	01-08-019-01
77		1 Guard, large (r.h. side)	01-08-020-01
78	3	1 Guard, small (l.h. side)	01-08-019-02
79		1 Guard, small (r.h. side)	01-08-020-02
80	4	1 Timing belt	2451000055
81	5	2 Bracket, bearing	01-08-002-01/02
82	6	4 Screw	1511000003
83	7	4 Flat washer	1522000030
84	8	4 Nut	1531000022
85	9	1 Spacer	01-08-007-02
86	10	1 Screw	01-08-008-03
87	11	1 Flat washer	01-08-008-02
88	12	2 Frame	01-08-001-01
89	13	1 Plug, female	2283000051
90	14	1 Housing, motor	01-08-016-01/02
91	15	1 Motor, electric	2211000039
92	16	1 Clutch housing, main	01-08-012-01
93	17	2 Clutch plate	01-08-014-01
94	18	1 Timing belt	01-08-018-01
95	19	10 Spring	2581000059
96	20	1 Clutch housing	01-08-011-01
97	21	1 Nut	01-08-013-01
98	22	1 Washer	01-08-015-01
99	23	1 Screw	1514000021
100	24	2 Spacer	1552000036
101	25	1 Bushing, slide	01-08-022-01
102	26	2 Spacer	01-08-003-01
103	27	4 Roller bearing	2611000062
104	28	2 Spacer 9,75mm	01-08-003-04
105	29	2 Spacer 9mm	01-08-004-01
106	30	6 Nut	1522000023
107	31	6 Flat washer	1531000031
108	32	1 Spacer	01-08-003-02
109	33	16 Spike wheel	01-08-006-01
110	34	16 Spike wheel	01-08-006-02
111	35	2 Shaft	01-08-005-01
112	36	8 Spacer 12mm	01-08-004-02
113	37	3 deflector for toothed gear	01-08-026-01
114	38	3 Adjustment spring	1561000037
115	39	16 Spacer 15mm	01-08-004-03
116	40	3 Timing belt	01-08-017-01
117	41	6 Ball bearing	2611000063
118	42	2 Spacer 14,25mm	01-08-003-06
119	43	1 Spacer 11mm	01-08-003-05
120	44	3 Spacer 6mm	01-08-003-03
121	45	1 Shaft	01-08-005-002
122	46	1 Timming belt tension	see Timing belt tension
123	47	1 end shield with carbon brushes	2213000096
124	48	1 O-ring	2811000100
125	49	1 spacer plate	01-08-021-01
126	50	3 deflector for toothed gear	01-08-026-02

Slicer 0200

Spare parts list – Timing belt tension

Item	Quantity	Denomination	Article No.
1	1	Tiing belt tension	01-08-010-01
2	1	Roller	01-08-009-07
3	1	Ball bearing	2611000064
4	1	Snap ring	1541000034
5	1	Snap ring	1541000032

